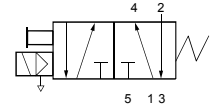


General information

Lucifer ref.: 341N31
 Global ref.: 7341NAKBJNMO
 Housing ref.: 2995
 Coil ref.: 481865
 Protection class: -
 Assembly wt. (g): 510

Body: Anod. aluminium body
 Seat disc: NBR
 Ways notation: 3/2 or 5/2
 Valve function: 3- or 4-way
 Valve actuation: Pilot operated
 Mounting: NAMUR interface



Specifications

Connection / Orifice

Port size (inches): 1/4 - 1/8
 Nom. dia. (mm): 4
 Orifice EXH. (mm): -

Flow factors

Qn (L/min): 600
 Qn EXH. (L/min): -
 C (dm³/s bar): -
 Kv (L/min): -
 Kv EXH. (L/min): -
 Qmax (L/min): -

Temperature values (°C)

a. Fluid temperatures

	Min.	Max.
With air:	-25	80
With water:	-	-
With steam:	-	-
With oil:	-	-

Pressure values (Bar)

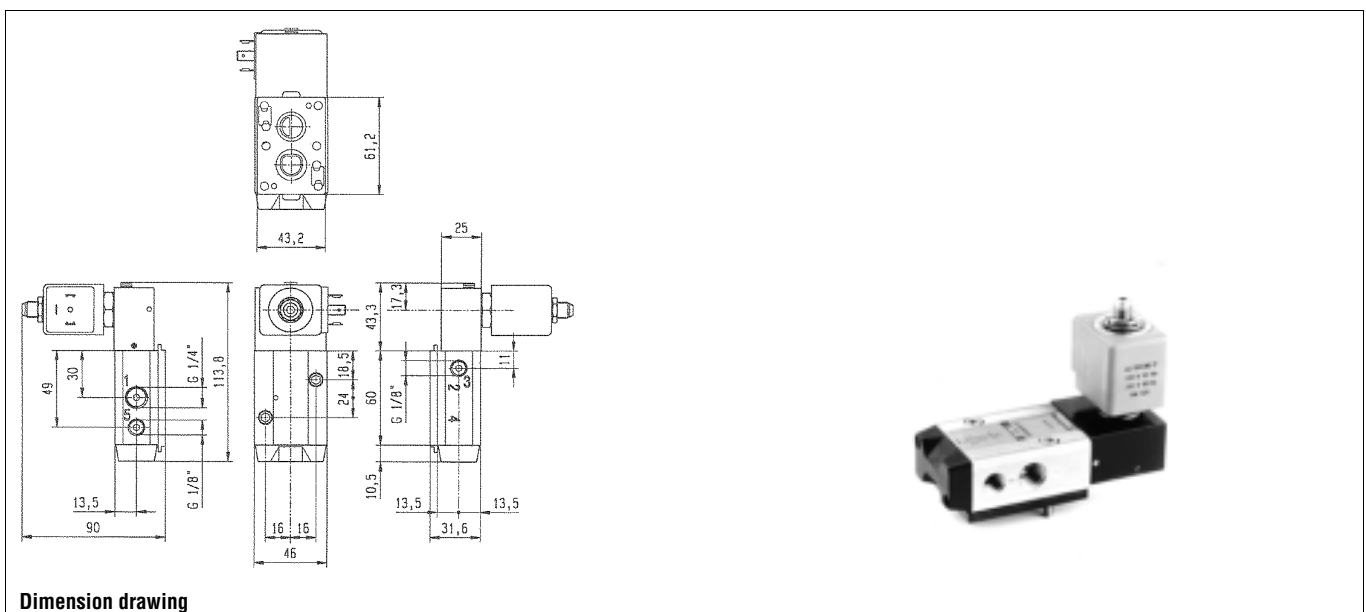
Min. pressure: 2.00
 Max. press. (DC): 10.00
 Max. press. (AC): 10.00

Power values (W)

Power DC: 9
 Power AC: 8

b. Ambient temperatures

Minimum: -25
 Maximum: 50



Dimension drawing