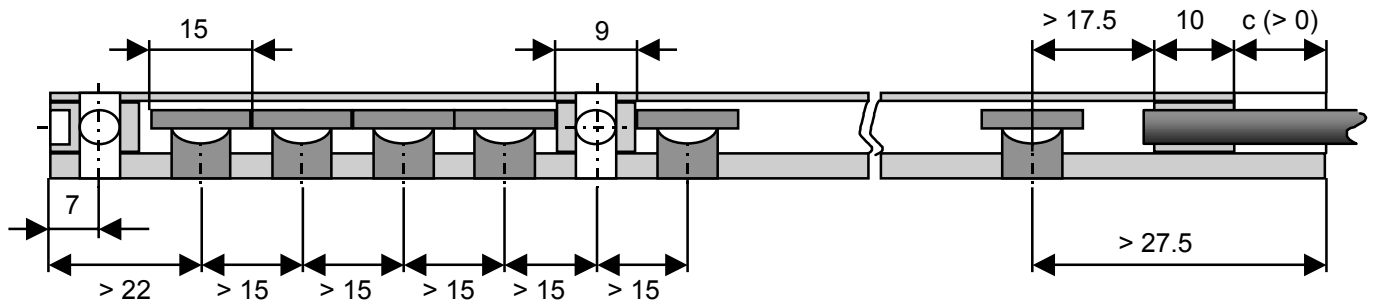


Country code	Order No.	Position
<b>To be filled out by customer:</b> (See desing guidelines on back side)		
<b>Opto edges:</b>	<input type="checkbox"/> Emitter <input type="checkbox"/> Receiver <input type="checkbox"/> Emitter and receiver	
<b>Element number:</b>	<input type="checkbox"/> 8 Element (34 Beams) <input type="checkbox"/> 16 Element (74 Beams) <input type="checkbox"/> 24 Element (114 Beams) <input type="checkbox"/> 32 Element (154 Beams)	
<b>Colour of edges:</b>	<input type="checkbox"/> Black anodized <input type="checkbox"/> Aluminum anodized <input type="checkbox"/> RAL Nr. _____ (Extra cost) <input type="checkbox"/> Other _____ (Extra cost)	
<b>Cable length:</b>	Emitter _____ m (Standard 5m, max. 10m) Receiver _____ m (Standard 5m, max. 30m)	
<b>Open cover:</b>	C = _____ mm (Standard 32mm)	
<b>Control unit:</b>	<input type="checkbox"/> Elevator application (17-240 V AC/DC) <input type="checkbox"/> Elevator application (24 V AC/DC) <input type="checkbox"/> Elevator application with test input <input type="checkbox"/> Industrial application (17-240 V AC/DC)	
<b>To be filled out by CEDES:</b>		
	<b>Part. No.</b>	<b>Configuration No.</b>
<b>System</b>		
<b>Transmitter</b>		
<b>Receiver</b>		
<b>Control unit</b>		
<b>Manual</b>		
	<b>Configured</b>	<b>Approved</b>
<b>Date</b>		
<b>Signature</b>		

# Design rules

## Important dimension in mm:



## Please observe following:

The aperture angle of the optical elements is  $\pm 10^\circ$ . The opposite emitter and receiver edges must be installed within this angle.  
Edges longer than 2.4 meters will be split in two parts and connected with a flexible hose (extra cost).

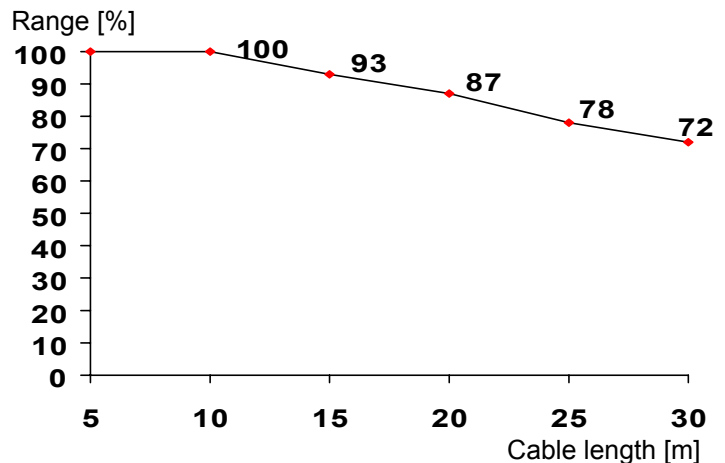
## Cable extension:

### - Emitter edge

The maximum length of the emitter cable can be 10 metres without any loss in range of the system.

The absolute maximum cable length of the emitter edge can be 30 metre.

The range decreases with increasing cable length in accordance with the graphic on the right.



### - Receiver edge

The maximum cable length of the receiver edge can be 30 meters without any loss in range of the system.

## Remarks or additional about your application: