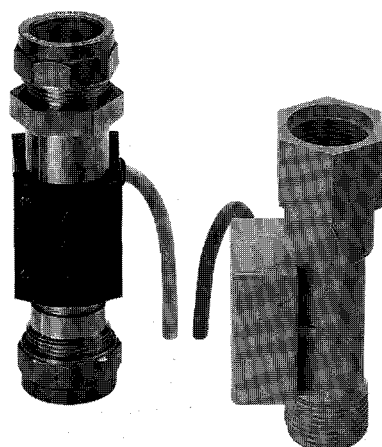


FRN series Flow switches



Features

- Operates in low flow conditions
- Minimum restriction to flow
- Suitable with appropriate adaptors for connection to 15 mm, 22 mm and 28 mm pipes
- Material Water Research Council approved for hot (85°C) and cold potable water
- High grade Noryl (UL 94-V1 rated) or dezincified brass housing
- Pressure tested to 10 bar
- Solid state ac mains or reed switch dc switching versions available
- Vertical mount
- Axial design for ease of installation
- Choice of 22 mm compression fittings or 3/4" B.S.P. male and female connections

Description

The Honeywell FRN series is a range of flow switches designed to produce minimal pressure drops in low flow rate applications.

FRN switches have a free-floating shuttle which acts as the flow trigger. No internal mechanical actuation is needed. Consequently the devices are sensitive to very low flow rates and produce negligible pressure drops. This construction is maintenance-free and extremely reliable.

Noryl thermoplastic and brass housings are available. Thermoplastic types are lightweight, durable and do not corrode. Brass types are dezincified and suitable for harsh-duty applications subject to severe environments.

The FRN series comprises ac versions rated 250 V_{rms}, 3A and dc versions rated 300 Vdc, 0,5 A, 10 W. The switches are simple to install and can be fitted to 15, 22 and 28 mm pipes using suitable adaptors.

Typical applications

- Central heating systems
- Shower control
- Mains water control
- Flow sensing

Catalogue listing system

FRN	
Switch rating	1 - 250 V rms, 3 A 2 - 300 Vdc, 0,5 A, 10 W
Material (body)	1 - Noryl 2 - Brass - dezincificated
Connections	1 - 3/4" B.S.P., thread, male and female 2 - 22 mm compression fitting (Both sides)
Flow rate	1 - 1,0 litre/min. water; 0,00255 m³/s. air
Termination	1 - 0,5 m 2 core 0,5 mm² BS6500 PVC cable 2 - 1 m 2 core 0,5 mm² BS6500 PVC cable
Packing	B - Bulk pack of 30 Omit last digit to order standard pack of 1

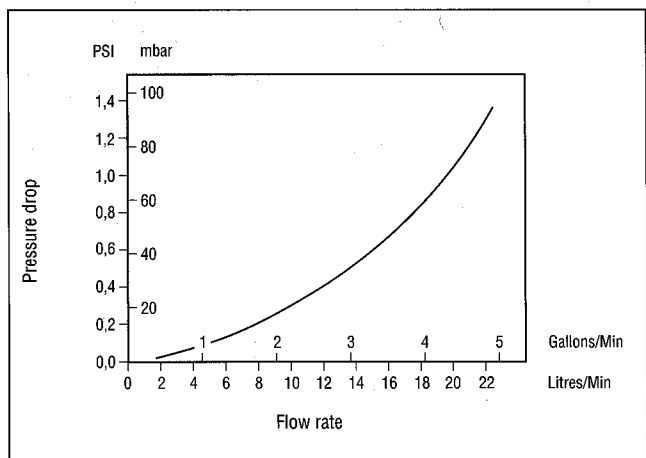
Ordering information: available catalogue listings

Honeywell listing	Description
FRN 11112	250 Vrms Noryl thermoplastic flow switch, 3/4" B.S.P. thread and 1 metre cable
FRN 21112	300 Vdc Noryl thermoplastic flow switch, 3/4" B.S.P. thread and 1 metre cable
FRN 12212	250 Vrms dezincificated brass flow switch, 22 mm compression fittings and 1 metre cable
FRN 22212	300 Vdc dezincificated brass flow switch, 22 mm compression fittings and 1 metre cable

Technical specifications

Electrical data	
Switch Rating (max)	
Models FRN1	250 Vrms; 3 A
Models FRN2	300 Vdc; 0,5 A; 10 W
Mechanical specifications	
Mounting Position	Vertical $\pm 15^\circ$
Shock (Reed switch only)	50 g for 11 ms
Vibration (Reed switch only)	35 g up to 500 Hz
Nominal Cable Length	1 m
Temperature Range	-30°C to +100°C

Flow rate v pressure drop



Installation notes

- 1) The unit should be mounted vertically $\pm 15^\circ$, with the flow arrow pointing upwards. When British Standard (B.S.P.) 3/4" fittings are used for connection it is recommended that the sealing washers supplied are used. Otherwise a tape or sealant applied sparingly is acceptable.
- 2) A tightening torque of 20 Nm must not be exceeded when making connections to the Noryl type flow switch. Flow must be in the direction of the arrow.
- 3) There is no electrical output from the flow switch, only switching capability. It should be connected to the device to be switched as shown in figure 1. (Mains version FRN1)

Connection diagram

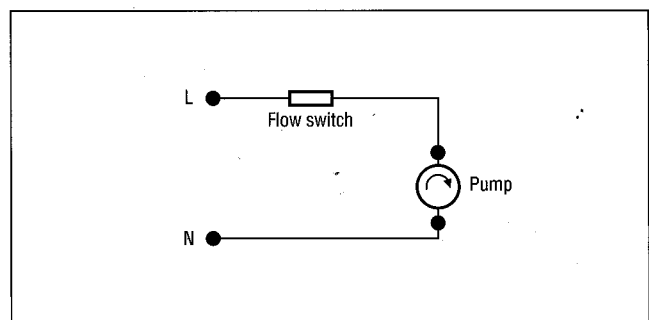
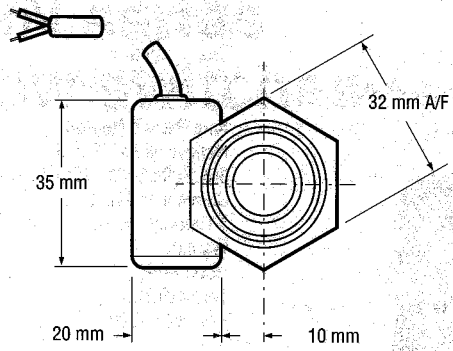


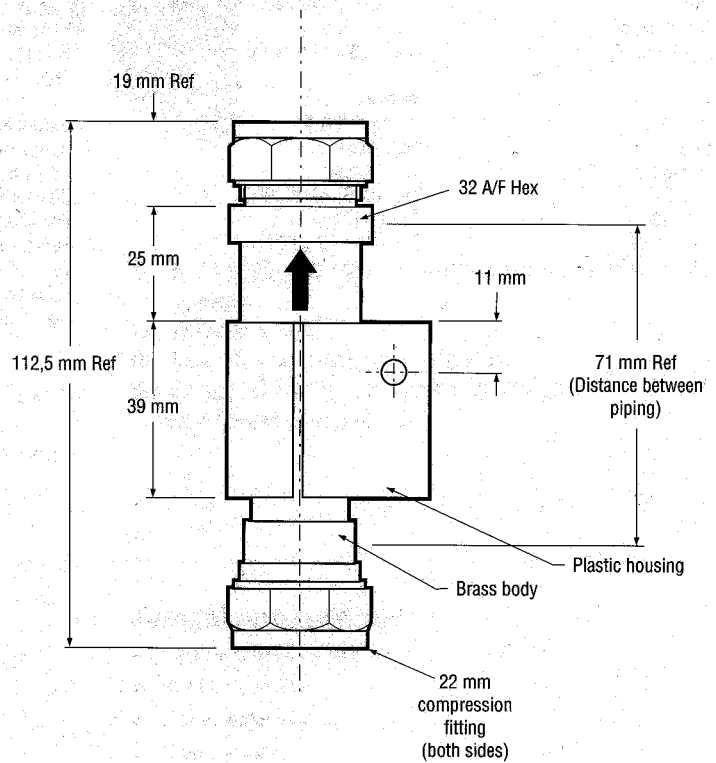
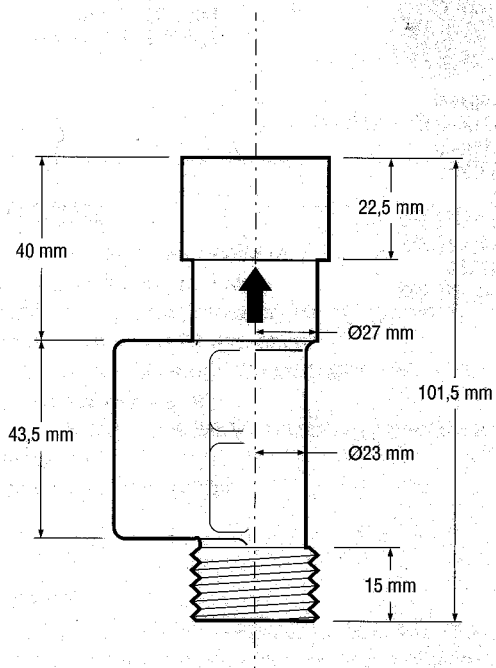
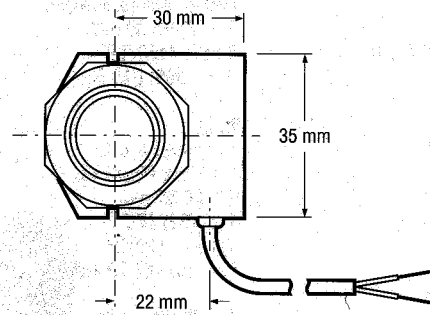
Figure 1

Dimensions in mm (for reference only)

Noryl thermoplastic body



Brass body



Micro Switch Centre.

Honeywell Control Systems Ltd,
Newhouse Industrial Estate,
Motherwell ML1 5SB,
Lanarkshire,
Scotland
Tel : (0698) 732100
Fax : (0698) 731614

Austria

Honeywell Austria GmbH,
Edelsinnstrasse 7-11,
1121 Wien.
Tel : (01) 811 010
Telex : 133302 or 132984
Fax : (01) 811 014

Belgium

Honeywell S.A./N.V.,
Avenue de
Schipholaan 3,
1140 Bruxelles/Brussel.
Tel : (02) 728 2711
Telex : 22788
Fax : (02) 728 2468

Denmark

Honeywell A/S,
Lyngby Hovedgade 98,
2800 Lyngby,
Tel : (045) 93 56 56
Fax : (045) 93 57 80

Finland

Honeywell OY,
Ruukintie 8,
02320 Espoo 32.
Tel : (0) 80 101
Telex : 121229
Fax : (0) 801 1297

France

Honeywell,
4 Avenue Ampère-Montigny,
78886 St. Quentin-en-Yvelines
Cedex.
Tel : (01) 3058 8000
Telex : 695513
Fax : (01) 3058 8173

Germany

Honeywell AG,
Kaiserleistrasse 39,
63076 Offenbach/Main.
Tel : (069) 80 640
Telex : 4152758
Fax : (069) 818 620

Italy

Honeywell S.p.A.,
Via Vittor Pisani 13,
20124 Milano.
Tel : (02) 67 731
Telex : 311092
Fax : (02) 67 73 208

The Netherlands

Honeywell B.V.,
Laarderhoogtweg 18,
1101 EA Amsterdam Z.O.
Tel : (020) 565 69 11
Telex : 14257
Fax : (020) 565 66 00

Norway

Honeywell A/S,
Askerveien 61,
1371 Asker.
Tel : (066) 90 20 30
Telex : 19345
Fax : (02) 78 03 04

Portugal

Honeywell Automaacao
E Controlo LDA,
Edificio Suecia II ,
Av.do Forte nr.3,
Piso 3,
Carnaxide,
2795 Linda a Velha.
Portugal.
Tel : (1) 417 2602
Fax : (1) 417 2600

Spain

Honeywell S.A.,
Apartado de correos 29106,
28080 Madrid.
Tel : (01) 320 2112
Telex : 22470
Fax : (01) 320 5389

Sweden

Honeywell A.B.,
Storsåtragränd 5,
12786 Skärholmen.
Tel : (08) 775 5500
Telex : 10673
Fax : (08) 775 5600

Switzerland

Honeywell A.G.,
Hertistrasse 2,
8304 Wallisellen.
Tel : (1) 839 25 26
Fax : (1) 831 03 14

United Kingdom

Honeywell Control Systems Ltd.,
Honeywell House,
Charles Square,
Bracknell,
Berkshire, RG12 1EB.
Tel : (0344) 424 555
Telex : 847064
Fax : (0344) 416 240

Eastern Europe

Please contact Honeywell
Austria

**Mediterranean Basin,
Middle East & Africa**

Honeywell International,
Management S.p.A.,
Via Volta 16,
20093 Cologno Monzese,
Milano, Italy.
Tel : (02) 273 211
Telex : 324044
Fax : (02) 273 21 240 or 250

Asia Pacific Region

Honeywell Asia Pacific Inc.,
30F Suite 3001 Office Tower,
Convention Plaza,
1 Harbour Road,
Wanchai,
Hong Kong.
Tel : 829 8298
Fax : 824 1226

Canada

Honeywell Components Division,
740 Ellesmere Road,
Scarborough, Ontario,
MIP 2Y9.
Tel : (416) 293 8111
Telex : 065 25170
Fax : (416) 297 4217

Note: this publication constitutes no contract between us and our customers and may be changed without notice. Safe installation and operation of our products remain customer's liability. Detailed mounting drawings of all our products illustrated available on request.

© Honeywell 1993

Honeywell*Helping You Control Your World*